

Key Features

- User-friendly
- Option to roll and pitch around moving kinematic, fixed or user-defined roll and pitch axes
- Results fully validated against CAD
- Import and export of suspension designs to Excel

For pricing, please contact us at engineering@optimumg.com.
Special pricing for University use!

Design

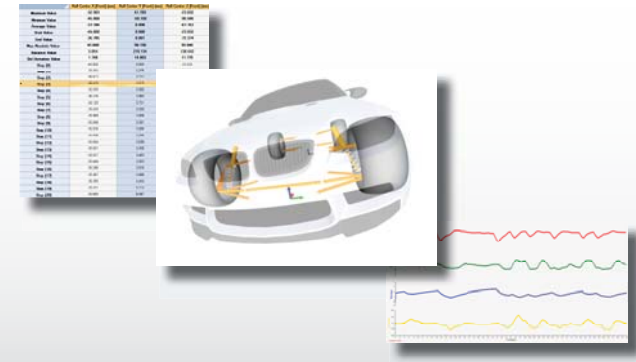
- Choose from a variety of predefined suspension templates
- Enter values in either metric or imperial units
- Choose any input and/or output coordinate systems
- Select symmetric or asymmetric suspension point input
- Optional reference points to check ground clearance, driveshaft plunge or any length or position



consulting • software development • training
engineering@optimumg.com www.optimumg.com

OptimumKinematics

Suspension & Design Analysis

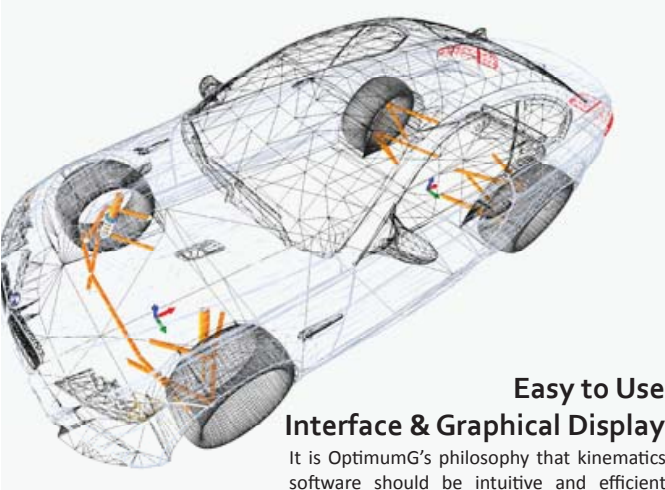


The Benchmark in Kinematic Software

by **OPTIMUM**

User-Friendly Kinematics Software

The inspiration of this software has evolved from years of questions from OptimumG seminar participants who have experienced the challenges of suspension design. With a user-friendly platform, OptimumKinematics is the leading software for fastest, most efficient suspension design and analysis.

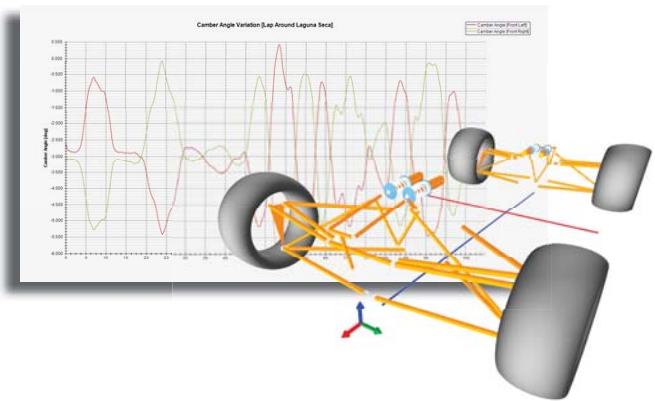


Easy to Use Interface & Graphical Display

It is OptimumG's philosophy that kinematics software should be intuitive and efficient helping you work faster and smarter.

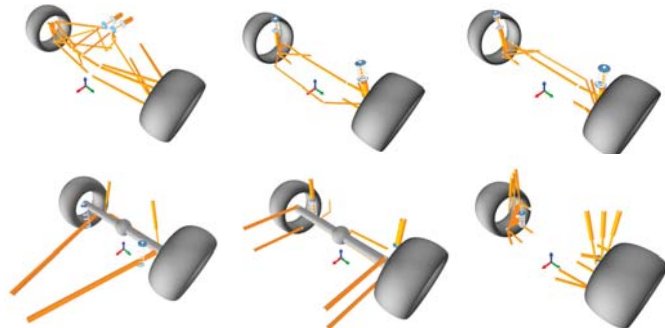
Analysis

- Over 400 outputs automatically calculated
- Results can be plotted or tabulated
- Graph any output against any other output
- Overlay results from different suspension designs for easy comparison
- 3D visualization of suspension motion
- Export results to CSV for analysis in your favorite software



Motion

- Specify simultaneous steering, heave, pitch and roll motions
- Ability to import motion from logged data from any data acquisition system



Supported Actuation

- Direct actuation
- Push/pull rod
- Push/pull third spring
- Separate spring and damper
- Torsion bars
- Multiple springs or dampers
- Mono-shock shuttle
- Mono-shock T-bar
- U-bar anti roll bar
- U-bar with intermediate rocker
- T-bar anti roll bar

Supported Suspensions

- Double A-Arm
- Mac Pherson
- Mac Pherson (pivot arm)
- Live Axle Panhard Bar
- Live Axle Watts Linkage
- Five Link